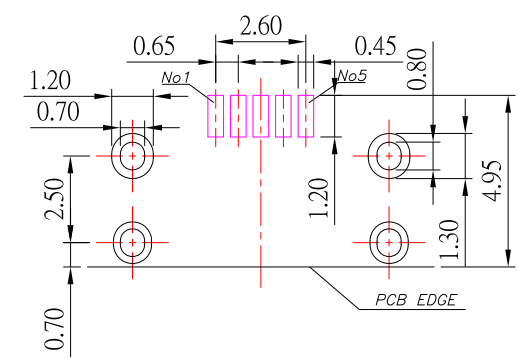
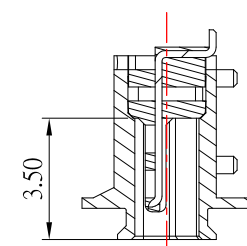
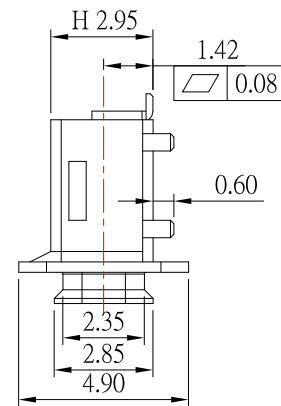
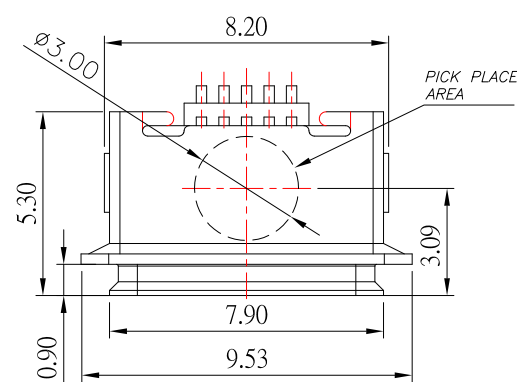
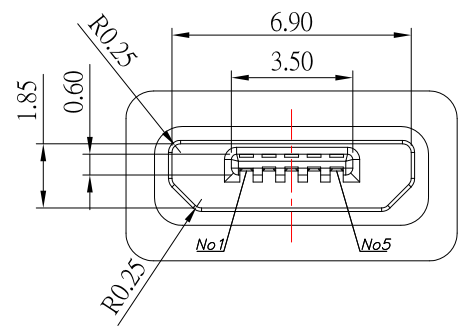


# IPX7



P.C.B LAYOUT MOUNTING PATTERN



## MRUSB-5B-WP10-x-S382

鍍層厚度：

Blank : 1u"
2 : 15u"
3 : 30u"

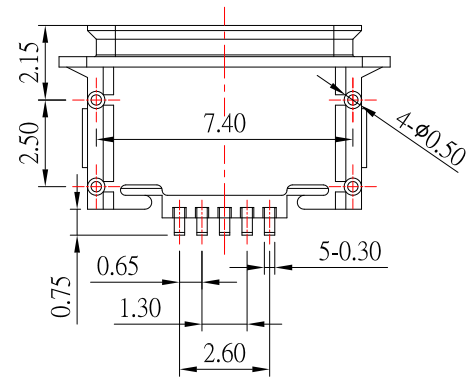
NOTES:

MATERIAL:

- 1.1 HOUSING: HIGH-TEMP
- 1.2 CONTACT: COPPER ALLOY
- 1.3 SHELL: SUS

FINISH:

- 2.1 CONTACT: PLATED GOLD IN MATING AREA ;  
GOLD PLATED ON SOLDER BALLS ;  
NICKEL UNDER PLATED OVERALL
  - 2.2 SHELL: NICKEL UNDER PLATED SURFACE LAYER
- 3.SPECIFICATION:
- 3.1 RATING: 1.8A(PIN1&5) , 0.5A(PIN2&3&4)
  - 3.2 DIELECTRIC WITHSSTANDING VOLTAGE: 100 VAC
  - 3.3 CONTACT RESISTANCE: 30 mΩ MAX.
  - 3.4 INSULATION RESISTANCE: 1000 MΩ MIN.



TOLERANCE UNLESS OTHERWISE STATED:

Up to 5	±0.2
Above 5 ~ 15	±0.3
Above 15 ~ 30	±0.4
Above 30 ~ 50	±0.5
Angle	±0.3°

3RD. ANGEL'S

UNITS MM

DRAWN BY:	DATE	MAT'L	TITLE	CONNECTOR
Jack Lu	09/09/20		MODLE	MICRO USB 5PF B TYPE H 2.95 防水型 IPX7
CHECKED BY:	DATE	FINISH	DWG NO.	MRUSB-5B-WP10-x-S382
Jacky Chen	09/09/20		SCALE	1 : 1
APPROVED BY:	DATE	SHEET NO.	PART NO.	MRUSB-5B-WP10-x-S382
Tony Kao	09/09/20	1 of 2		

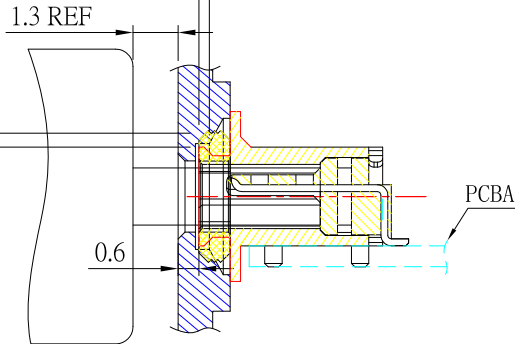
3	新增O-RING料號	Jack	090920
2	更新圖面	Jack	090820
1	更新圖面	Jack	051418
ITEM NO.	DESCRIPTION	DRAWN	DATE

# IPX7

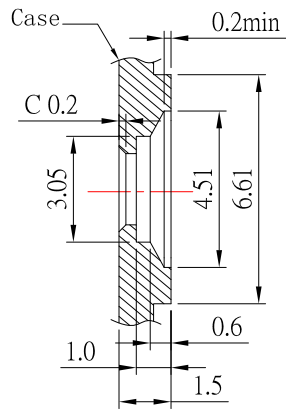
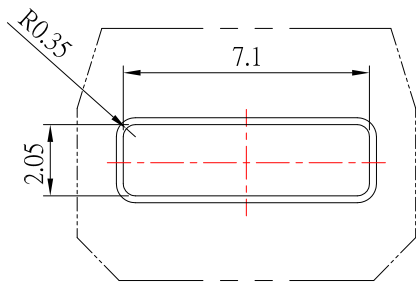
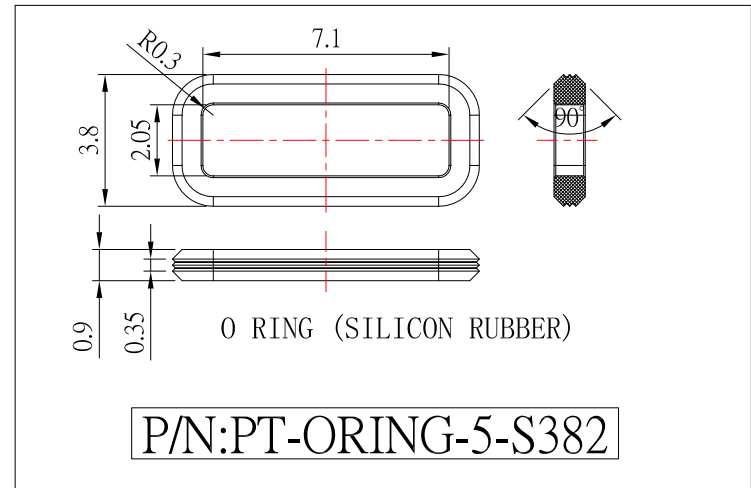


機殼面板對密封圈  
為縮量0.40Min

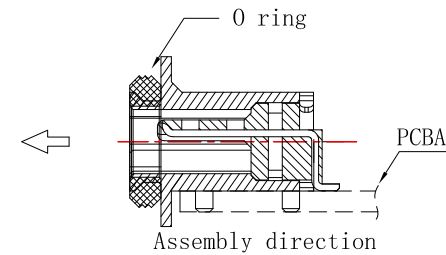
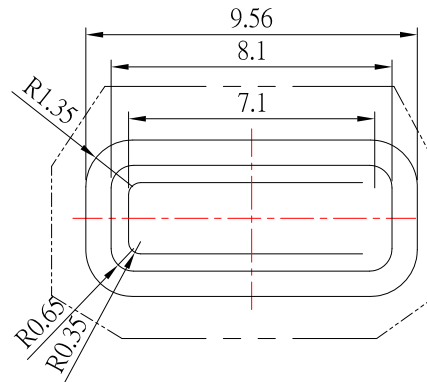
機殼面板對密封圈為縮量0.30Min  
(建議壓縮量為密封圈直徑大小40~50%)



COMPRESSION RATIO TO BE 40%~50%



RECOMMENDED OPEN DIMENSION OF CASE



東莞市高迪電子有限公司  
DONG GUAN GAO DI ELECTRONICS CO., LTD

TOLERANCE UNLESS OTHERWISE STATED:  
Up to 5 ±0.2  
Above 5 ~ 15 ±0.3  
Above 15 ~ 30 ±0.4  
Above 30 ~ 50 ±0.5  
Angle ±0.3°

3RD. ANGEL'S

UNITS MM

DRAWN BY:	DATE	MAT'L	TITLE	CONNECTOR
Jack Lu	09/09/20		MODLE	MICRO USB 5PF B TYPE H 2.95 防水型 IPX7
CHECKED BY:	DATE	FINISH	DWG NO.	MRUSB-5B-WP10-x-S382
Jacky Chen	09/09/20		PART NO.	MRUSB-5B-WP10-x-S382
APPROVED BY:	DATE	SCALE	SHEET NO.	2 of 2
Tony Kao	09/09/20	1 : 1		

ITEM NO.	DESCRIPTION	DRAWN	DATE
3	新增O-RING料號	Jack	090920
2	更新圖面	Jack	090820
1	更新圖面	Jack	051418

7

7